

Model:FY-30DC

Usage Manual

1. Product introduction

FY-30DC, has two pieces of 30 watts UV Lamps that Emit a High Intensity Ultraviolet Light that hits every surface in the room and kills any Microorganisms or Pathogen including MRSA, hand foot mouth disease, Colds & Flu, Pneumonia, Molds, E. coli, Salmonella, and similar type of Bacteria.

UV disinfection trolley disinfects approximately up to 30 square meters room area. There are numerous safety features built-in with 0-120mins timer.

2. Main sterilization factor

- ① Ultraviolet disinfection trolley uses ultraviolet rays as the sterilization factor.
- ② The principle of sterilization: UV sterilization is to destroy and change the DNA structure of microorganisms through ultraviolet radiation, so that the bacteria die immediately or cannot reproduce their offspring to achieve the purpose of sterilization. There is no known Microorganism that is Immune to UV-C energy.
- ③ Killing microorganisms: it can kill intestinal pathogens, purulent pathogens and common bacteria in hospitals.

3. Application Area

UV disinfection trolley is an ideal choice for all levels of medical and health institutions and other units. It has numerous applications not just for hospitals but can be used in schools, play areas, hotels, clinics, homes, cinemas, buildings, food manufacturing companies and offices. It quickly and effectively provides disinfection to all surfaces and air within minutes. UV disinfection trolley is laboratory tested, used by hospitals, and recommended by the doctors.

4. Important instructions

- ① This manual is an important part of the product, please keep it properly.
- ② Due to continuous improvement, if there is any discrepancy or any doubt about the partial contents of this manual, please consult our company.
- ③ Please read this manual carefully before using and repairing this product.

5. Product model and parameters

Normal working conditions:

Specification	Carbon Steel UV Disinfection Trolley
Model	FY-30DC
structure of lamp arm	Foldable single lamp arm
Adjustable degree of lamp arm	0-180°
Lamp power	2*30W
Timer	0-120min
UV radiation intensity	$\geq 107\mu\text{w}/\text{cm}^2$
Lamp life time	$\geq 1000\text{h}$
Power Voltage	220V,50Hz/60Hz
Input Power	80VA
Material of housing	Carbon steel

Ambient temperature: 5°C~40°C, relative humidity: $\leq 85\%$, atmospheric pressure: 86kpa-106kpa.

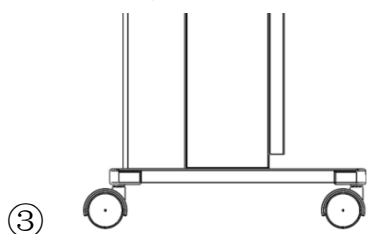
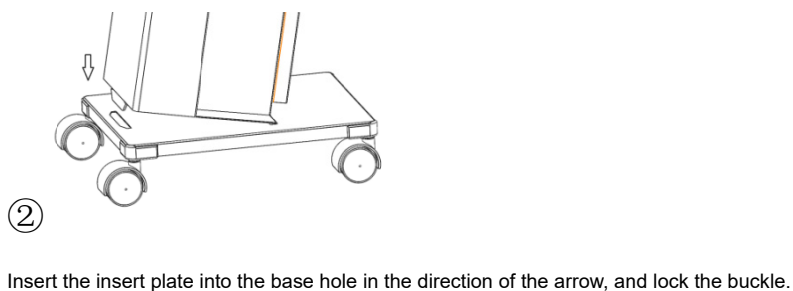
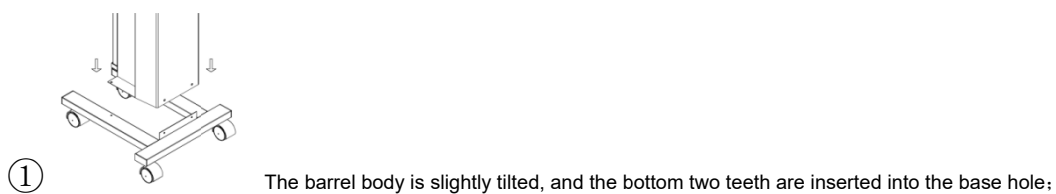
Carbon steel UV disinfection trolley adopts mechanical timer control, which is ready to use

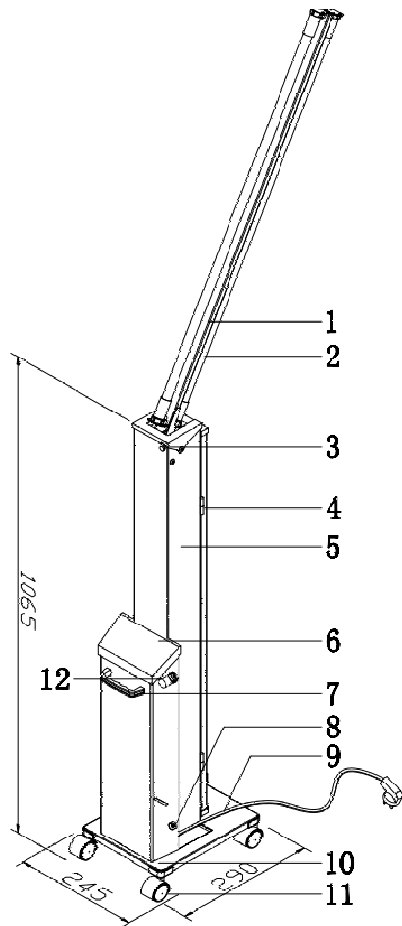
6.Use Method

Product structure diagram

Base Installation

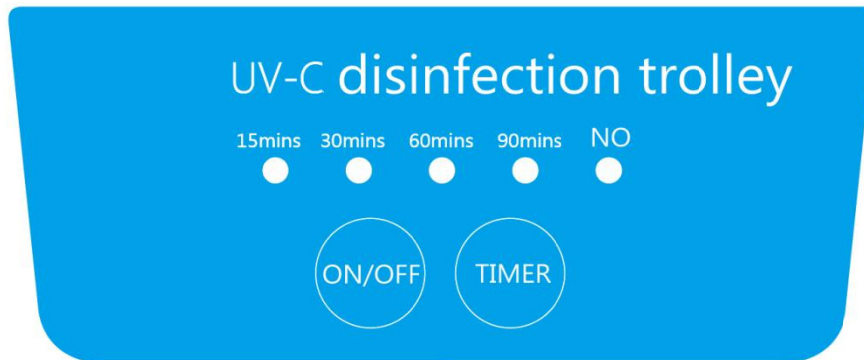
The base installation:





No.	Name
1	Lamp arm
2	UV Lamp
3	Positioning
4	Protection
5	Housing
6	Timer
7	Handle
8	Fuse
9	Power cable
10	Base
11	Casters
12	starter

Instructions for use of the control panel



Note:The operator should leave the scene immediately or wear protective equipment when using it to avoid ultraviolet radiation.

7.Cautions

The following basic safety measures must be observed in all stages of operation, maintenance and repair of the disinfection vehicle. Failure to observe the following

measures may affect the basic protection provided by the equipment.

① The electrical safety classification of this product is Class I

Please use it under the working conditions and environment required by this manual.

② This product is not authorized, and it is strictly forbidden for users to modify parts of the equipment.

③ Do not link multiple electrical equipment with a total power exceeding its rated power on a power strip, because overloading will cause insufficient power or electric shock or fire accidents.

④ The power plug must be well grounded to prevent electric shock accidents.

Ultraviolet rays are harmful to the human body. Please pay attention to ultraviolet radiation. It is strictly forbidden to directly irradiate the human body with ultraviolet rays during use.

⑤ Please cut off the power supply and unplug the power plug after using the disinfection vehicle.

⑥ The packaging should be placed in a dry, ventilated, and non-corrosive room. Pay attention to handling, upwards, and moisture-proof during transportation.

It should be installed and used according to the product instruction manual, regular maintenance, maintenance, and the power plug should be unplugged during maintenance and repair.

The UV sterilizer measures the UV intensity based on the use time. When the cumulative use time of the UV lamp exceeds the effective life, the lamp tube should be replaced in time.

8. Maintenance and after-sales service

The actual use of the product should be based on the frequency of use, environment, maintenance, and troubleshooting to determine whether to extend or terminate the use period early. It is recommended that the longest use life is not more than 8 years.

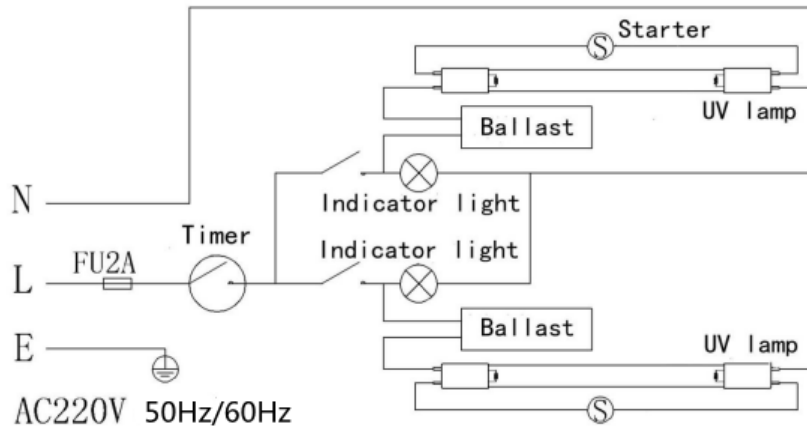
When cleaning and repairing the equipment, the power must be cut off first.

After the disinfection vehicle has been used for a period of time, if there is dust on the surface of the lamp, use alcohol cotton balls or gauze to clean the lamp to avoid affecting the disinfection effect.

Ultraviolet rays are harmful to the human body. Please pay attention to ultraviolet radiation. It is strictly forbidden to directly irradiate the human body with ultraviolet rays. If you need to replace the lamp, be sure to shut down the operation.

Please dispose of UV lamps that have reached the end of their service life in accordance with local laws and regulations.

9. Electrical schematic diagram



10. Solutions to common faults

Fault display	Solution
The power indicator light is on, the germicidal lamp is off	<ol style="list-style-type: none"> 1. The lamp tube needs to be installed so that the lamp tube and the lamp plug interface are in good contact; 2. Replace the lamp tube; 3. Complete the above steps in order. If the lamp does not light up, please repair it by a professional electrician or contact the manufacturer.
The germicidal lamp and the power indicator light both does not light up	please repair it by a professional electrician or contact the manufacturer.