

UV-C disinfection trolley

Mounting instruction

FY-30DS 60W

GB
7000


ISO
9001

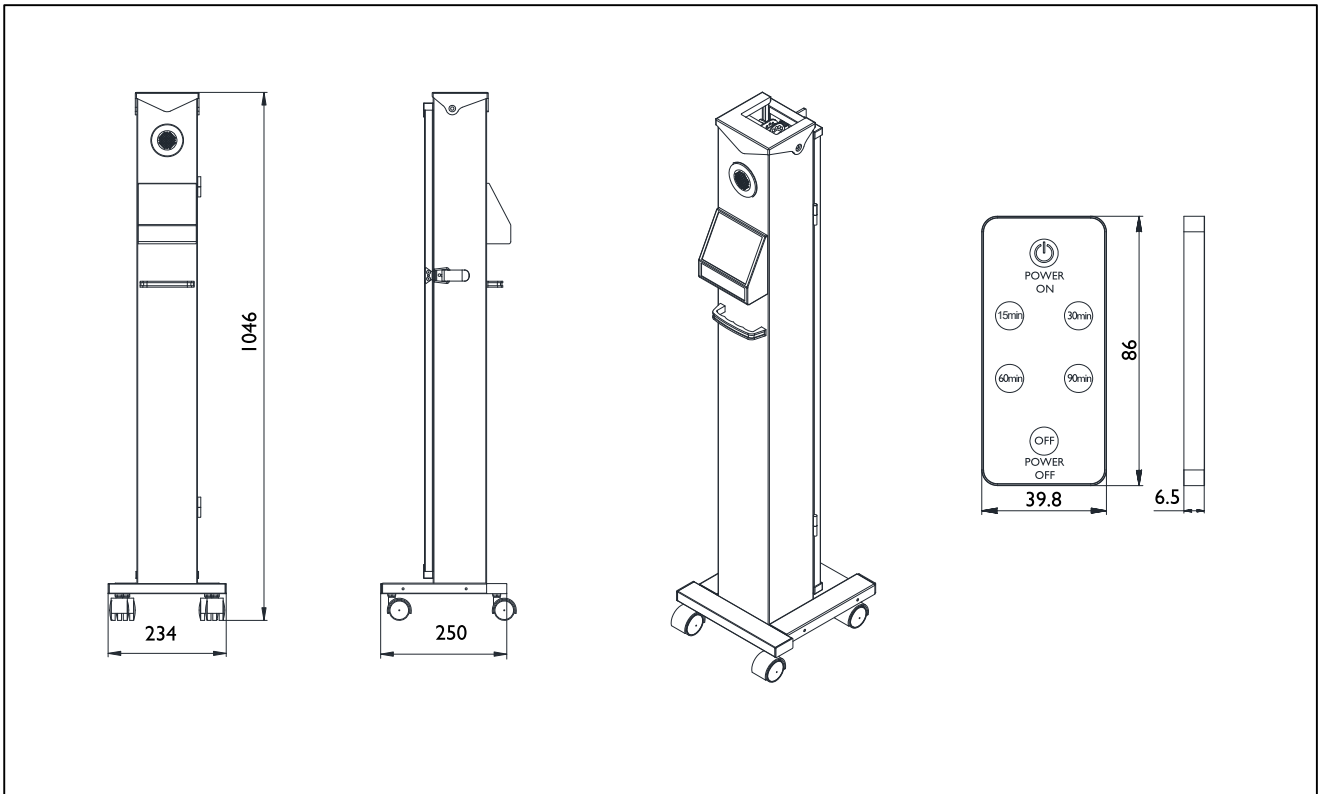


ta
25°C

IP20

CE

Type Desc	Power	Lamp	Lamp Holder	Voltage	Main wavelength	Effective irradiance	Risk Group	Frequency	
FY-30DS	60W	2*30W T6	G13	110-220V~	253.7nm	107 uW/cm ²	3	50/60Hz	10KG



1. Only trained people is permitted to use this product.
2. Please Shut off the power supply and unplug product before changing the lamp or connection! Please ensure to put on gloves when installing the luminaire or replacing the lamp.
3. Earthing of disinfection trolley must be ensured before use. Please ensure proper earthing stays while in use.

RISK GROUP 3



WARNING UV-C emitted from this product.
Avoid eye and skin exposure to unshielded product.
Follow installation instructions and user manual.

Use UV LAMP
ZW30S19W 30W T6

Application Considerations for Luminaire

- Materials that are exposed to UV-C for a long time may become damaged and/or discoloured.
- Our UV-C Products are not meant to be used in applications or activities which may cause and/or lead to death, personal injury and/or damage to the environment.
- This UV-C product is intended to be used for the disinfection of the surfaces and air of objects other than medical devices.
- This UV-C product is not approved and / or certified as a medical device.
- UV-C light emitted from this product is much “stronger” than normal sunlight and can cause a severe sunburn-like reaction to your skin, and similarly, could damage the retina of your eye, if exposed.
- Humans, pets must be evacuated before switching on UV-C luminaires.
- Please ensure proper protection of Valuables (paintings, calligraphy, antiques, etc.) and Plastic products before switching on the UV-C Light.
- UVC Exposed Luminaire parts (other than Aluminum housing), like Lamp holder, end cap etc. might change color after a certain period of usage due to the UV-C light property.
- Signify will not be responsible for any accidents/injuries caused by exposure to UV-C light.
- In case of an accidental breakage, ventilate the room for 30 minutes and remove the parts, preferably with gloves. Put them in a sealed plastic bag and take it to your local waste facilities for safe disposal.

Safety protocol

- 1.The reseller should provide UVC product safe use training to end user.**
- 2.Operator must be trained on how to operate the trolley**
- 3.Assures that product is only used in the Closed Room with Controlled Access.**
- 4.Assures that there are no people present in the Controlled Access Location during UV-C operation; and**
- 5.Assures that the Controlled Access Location is locked during UV-C operation; and**
- 6.Prevents unintentionally access to the Controlled Access Location during UV-C operation by a key-locked switch; or**
- 7.Assures that if, notwithstanding, people are or become present in the Controlled Access Location, UV-C operation is shut down. This may be achieved through customer self-installed Presence Detection Sensors or Motion Detection Sensors.**
- 8.Operator must be trained & sign legal contract on how to use this equipments ensuring containment safeguard.**
- 9.Operator must follow below operation process**



Operation

Assures that there are no people present in the Controlled Access Location.

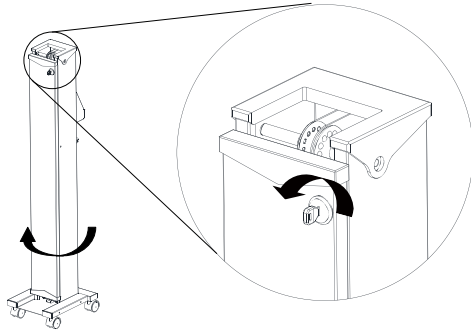
Only trained people is permitted to use this product.



The product needs to be used on flat ground, the wheels need to be locked. When moving the lamp, the arm needs to be turned back to the housing and locked.

The key and remote controller should be kept with trained people.

1 Rotate the lock, and open the door



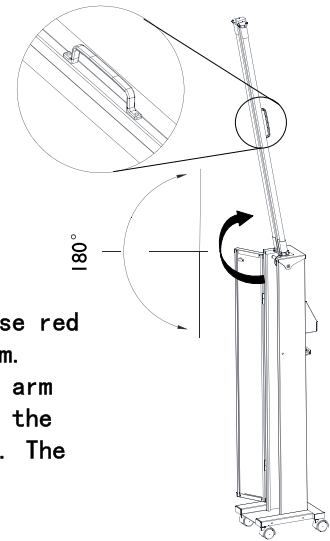
The key should be kept with trained people.

2 Rotate the UV C lamp arm to Appropriate Angel by handle(30°,60°,90°,120°,150°,180°)



Do not hold the lamp, use red handle to rotate the arm.

After using, rotate the arm back to housing and use the key to lock the housing. The key should be kept with trained people.



3 Power

Each press operation interval is within 30 sec.

Method One: Control Panel

1. Plug in, and long press Power button for 3 seconds.

2. Press the Timer button to select the disinfection time. Each Press move to next time zone.

Press times	Working Time(min)
1	15
2	30
3	60
4	90
5	N/O

3. Press the Power button again, product will delay 30 seconds and power on the UV-C lamp.

4. After the timing is over, the UV-C lamp will auto power off.

5. If need to power off the UV-C lamp during working procedure, press the Power button again.

4 After using, rotate the arm back to housing and use the key to lock the housing. The key and remote controller should be kept with trained people.

In case of an accidental lamp breakage, ventilate the room for 30 minutes and remove the parts, preferably with gloves. Put them in a sealed plastic bag and take it to your local waste facilities for safe disposal.

Method Two: Remote Controller

1. Plug in Product, Press in sequence 15min - 90min - power on button on remote controller to unlock the product.

2. Press the Timer button, select the disinfection time. (Optional: 15/30/60/90 minutes)

3. Press the Power button again, product will delay 30 seconds and power on the UV-C lamp.

4. Product will delay 30 seconds and power on the UV-C lamp.

5. After the timing is over, the UV-C lamp will auto power off.

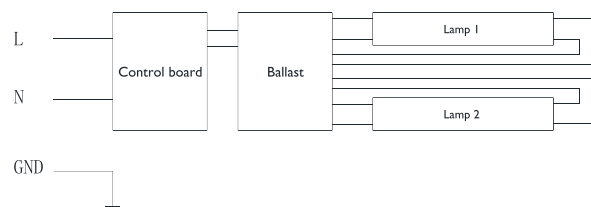
6. If need to power off the UV-C lamp during working procedure, press the Off button.

(Remote control pairing method: press button 60 minutes and 90 minutes for 3 seconds at the same time, after hearing a rapid 'Murmur' from control panel, the remote controller pairing is complete)

Fault Handling

Fault	Handling
The power indicator is on, and the Lamp does not work	1. Rotate the lamp tube so that the lamp tube is in good contact with the lamp holder 2. Replace the lamp. 3. If the lamp tube is still not on, please contact the dealer
The power indicator is not on, and the lamp does not work	Please contact the dealer.

Electrical schematic diagram

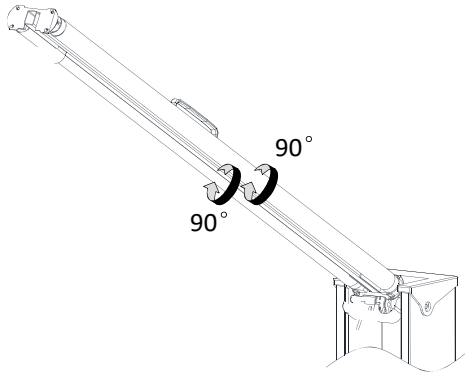


Lamp replacement

Only trained people is permitted to replace the lamp
Please Shut off the power supply and unplug product before changing the lamp! Please ensure to put on gloves when replacing the lamp.

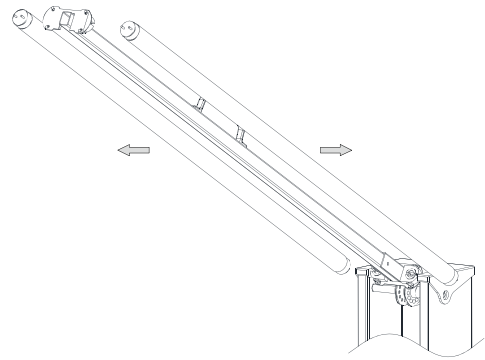
1

Twisted UV lamp



2

Remove the lamp



3

Install the lamp

